

CNC

Classic Series Router

Reliable turnkey solutions for any application requiring value, performance, and versatility.



MULTICAM
Complete CNC Solutions

HIGH-PERFORMANCE CNC ROUTING AT AN ENTRY-LEVEL PRICE

CLASSIC SERIES ROUTER

MultiCam® accepted the industry challenge to build a rigid, reliable CNC cutting machine platform with excellent performance at an entry-level price. Over 20 years of cutting-edge, industry-leading design experience created the MultiCam Classic Series Router. This machine offers a price/performance breakthrough in CNC router design.

The MultiCam Classic Series Router is the perfect solution for applications requiring value, performance and price in a CNC router.

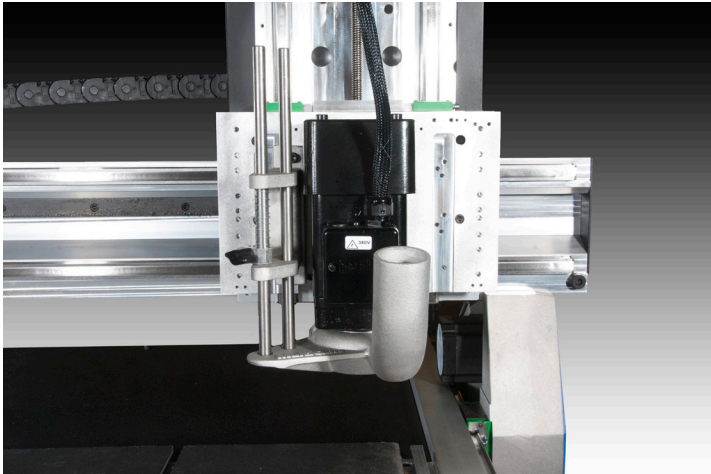


FEATURES & SPECIFICATION GUIDE

PERFORMANCE / EASE OF USE / PRODUCTIVITY

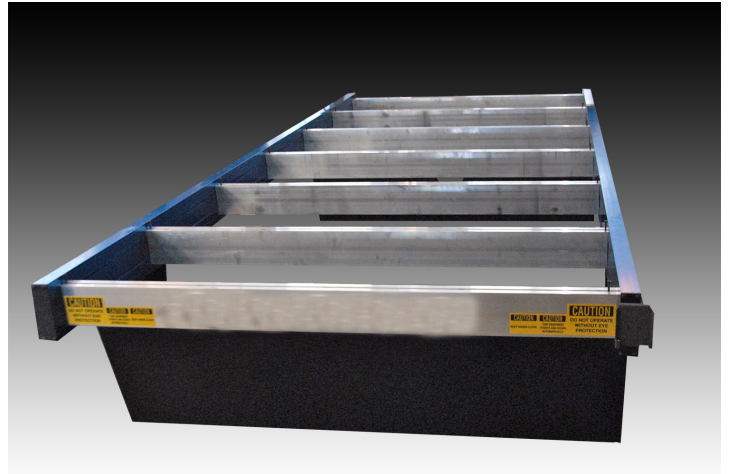
FEATURES

No machine offers more features than the innovative and versatile Classic Series Router



Spindle Versatile & Powerful

Each Classic Series Router comes standard with a 4HP, 24,000 RPM spindle and cast-aluminum dust foot. The spindle features an ER-25 collet.



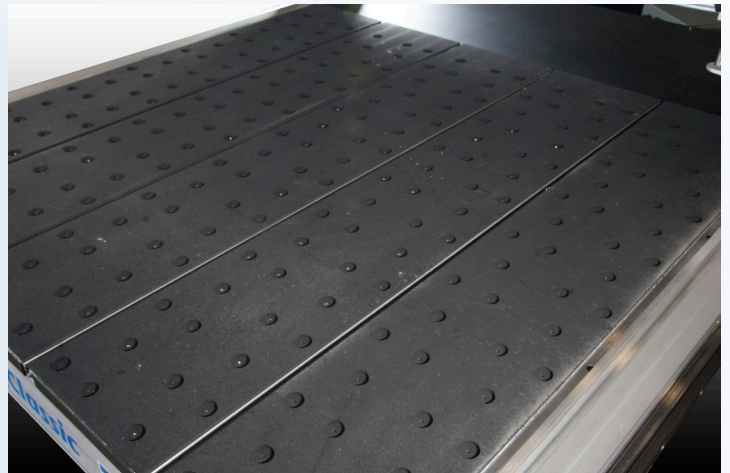
Base Frame Rigid for Optimum Performance

MultiCam fabricates the frame for the Classic Series Router using aerospace-grade aluminum extrusions with integrated bearing datums. The legs are manufactured from heavy-gauge sheet steel.



Gantry Engineered for Performance

MultiCam engineered the gantry tube from aircraft-quality aluminum extrusion for maximum stiffness. Its 10mm wall thickness ensures rigidity. References for the precision linear bearings are extruded in the design and have excellent parallelism.

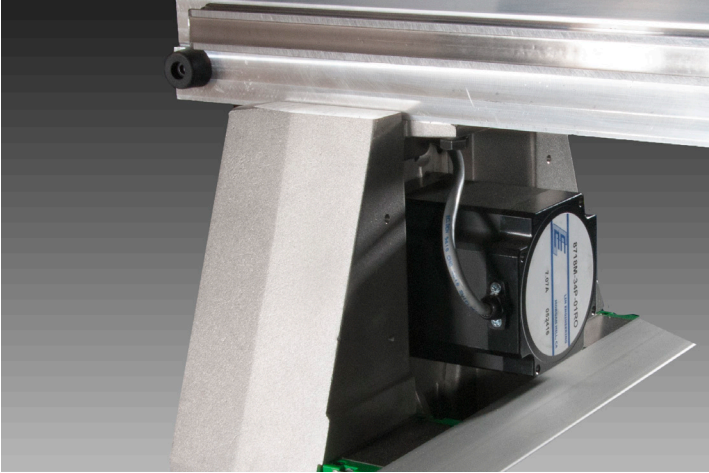


Working Surface Maximum Material Hold

The aluminum T-slot vacuum table provides a low-cost working surface to hold parts. Or order optional phenolic grid tops with or without vacuum zoning. Choose from a selection of MultiCam vacuum pump options.

FEATURES

No machine offers more features than the innovative and versatile Classic Series Router



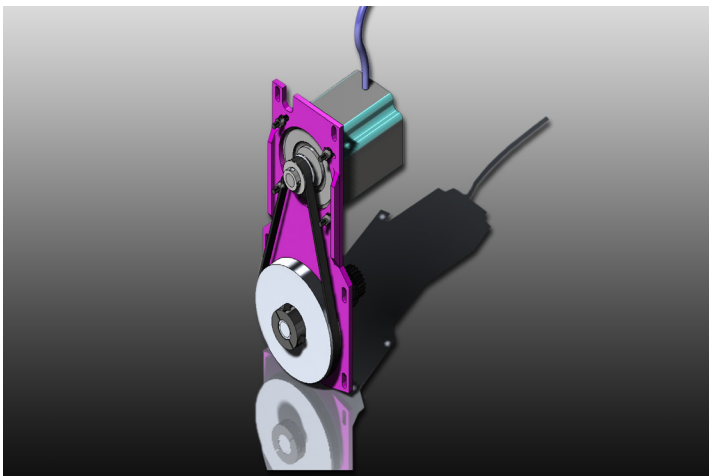
Drive Motor System Smooth & Accurate

The 2 Phase digital, brushless, synchronous electric motors MultiCam has selected for the Classic Series have undergone extensive testing. The inductance and resistance of the windings are optimized for system smoothness. The integrated digital motor drives have also been optimized to run these motors more effi



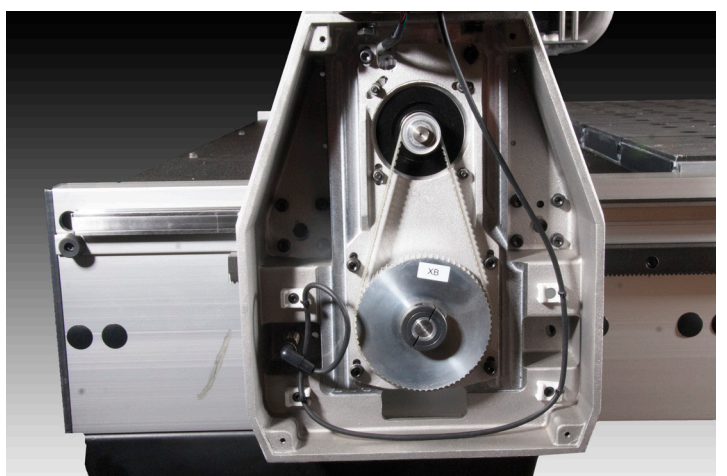
EZ Control Easy-To-Use

MultiCam's EZ Control is one of the most powerful yet easy-to-use motion control systems available on the market. It allows for multiple job reference positions as well as automatic Z surfacing, proximity restart, and cut speed & spindle RPM override.



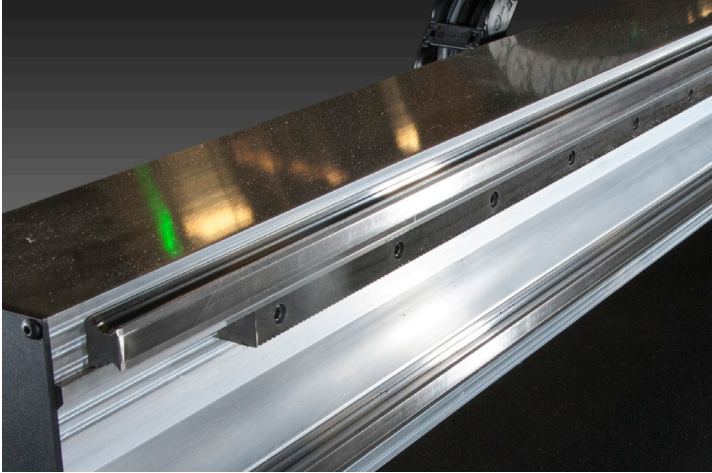
Drive Transmission Assembly High Acceleration, Excellent Cut Quality

The transmissions on both X and Y axes, use the same assembly mechanisms. These are based on an aluminum casting and feature steel cable reinforced urethane belt drives. The output pinions are supported by a dual bearing arbor with wide bearing seperation for optimum stiffness.



Gantry Supports High Strength, Minimal Vibration

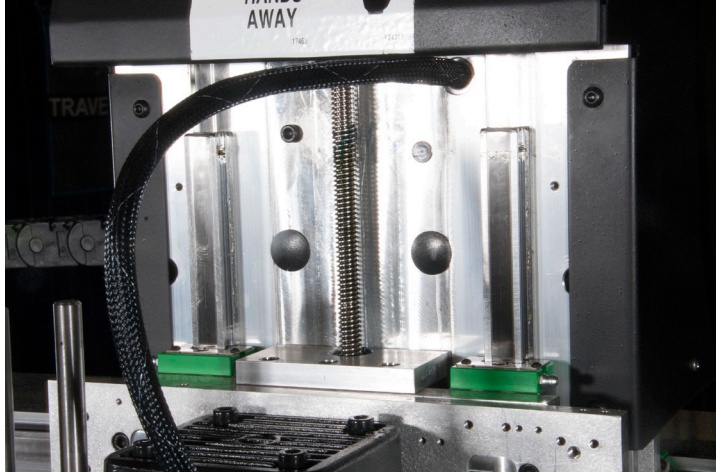
Cast aluminum gantry supports machined on a four-axis horizontal machining center guarantee perpendicularity and precision placement of linear bearings. Castings have inherent vibration-dampening characterisitcs and give very stiff support to the gantry tube.



Linear Bearings

Fluid & Accurate

The 25mm linear bearing profile rails with stainless spring steel strip covers are standard in the X,Y, and Z axes.



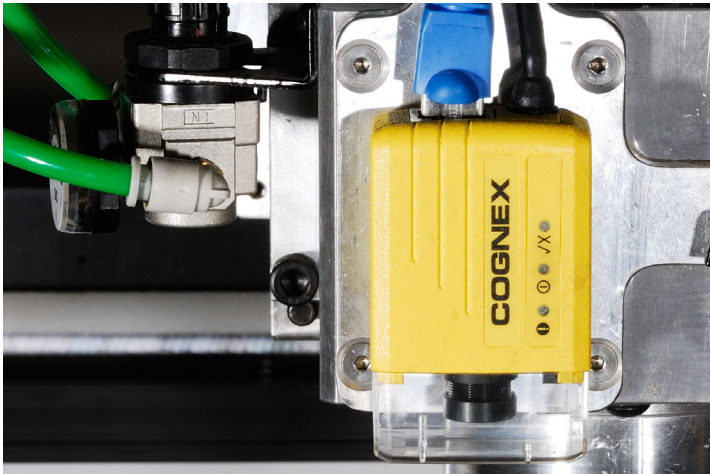
Z-Screw Assembly

Precise & Robust

The Classic Series utilizes a 1/2" diameter stainless steel lead screw. For high axial force loads, a precision mounting block with dual angular contact ball bearings hold it in place firmly. A brass lead screw nut carries the Z-axis load.

OPTIONS

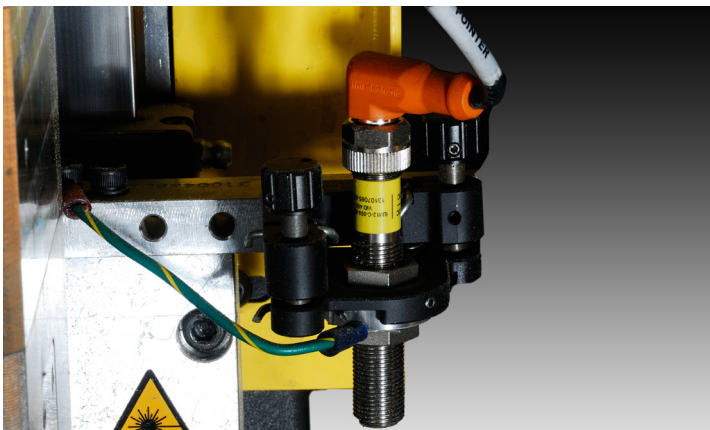
The Classic Series Router provides a number of options to optimize your throughput and production capabilities.



MultiVision Digital Registration
Flexible & Exact



Auto-Mister
Increase your Capabilities

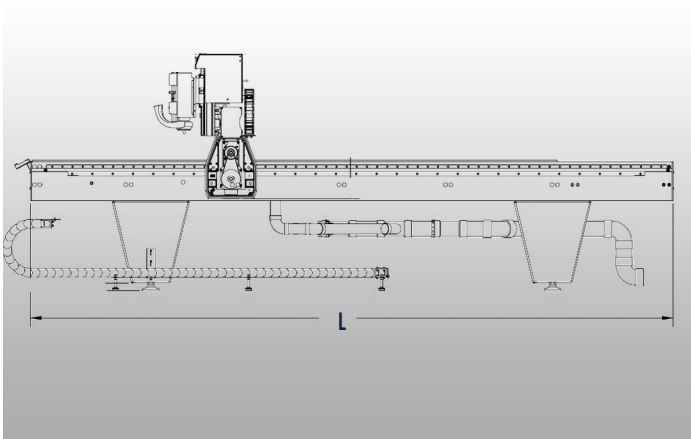
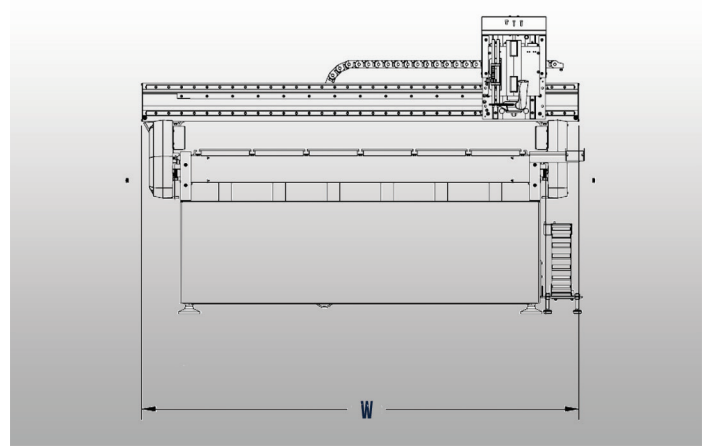
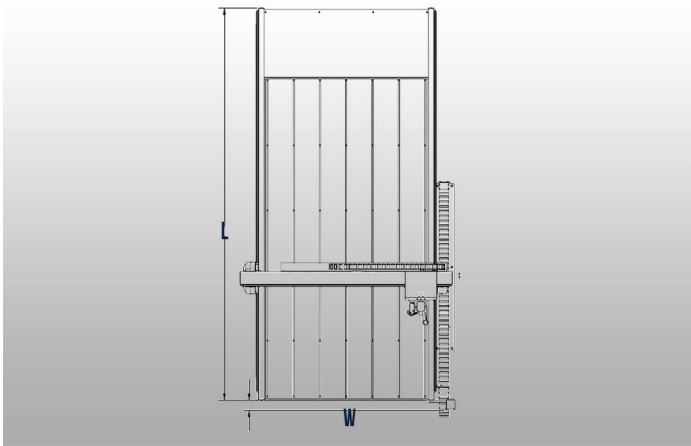


Laser Pointer
User Friendly & Accurate



2D Rapid Shape Digitizer
Fast & Easy

SPECIFICATIONS



Specifications	Inches	Metric
Z-Axis Clearance	4.5"	114.3mm
Z-Axis Travel	6"	152.3mm
Slew Diagonal	720IPM Linear/ 1020IPM Diag	15.2 MPM
Max Feed	650 IPM	21.6 MPM
Drive System (X,Y)	Rack & Pinion	Rack & Pinion
Drive System (Z)	Lead Screw	Lead Screw

Model	Length (in./mm)	Width (in./mm)	Height (in./mm)	Working Area
C-101	105"/2667mm	71"/1803mm	54"/1371mm	50"x50"/1270x1270
C-103	155"/3937mm	71"/1803mm	54"/1371mm	50"x100"/1270x2540
C-204	177"/4495mm	81"/2057mm	54"/1371mm	60"x144"/1524x3048
C-304	177"/4495mm	101"/2565mm	54"/1371mm	84"x120"/2133x3048



MULTICAM
Complete CNC Solutions

1025 West Royal Lane
DFW Airport, TX 75261



By phone:
+1 972.929.4070
Hotline:
855.894.3136



By email:
sales@multicam.com



Or online at:
www.multicam.com